

tenon



vitrage

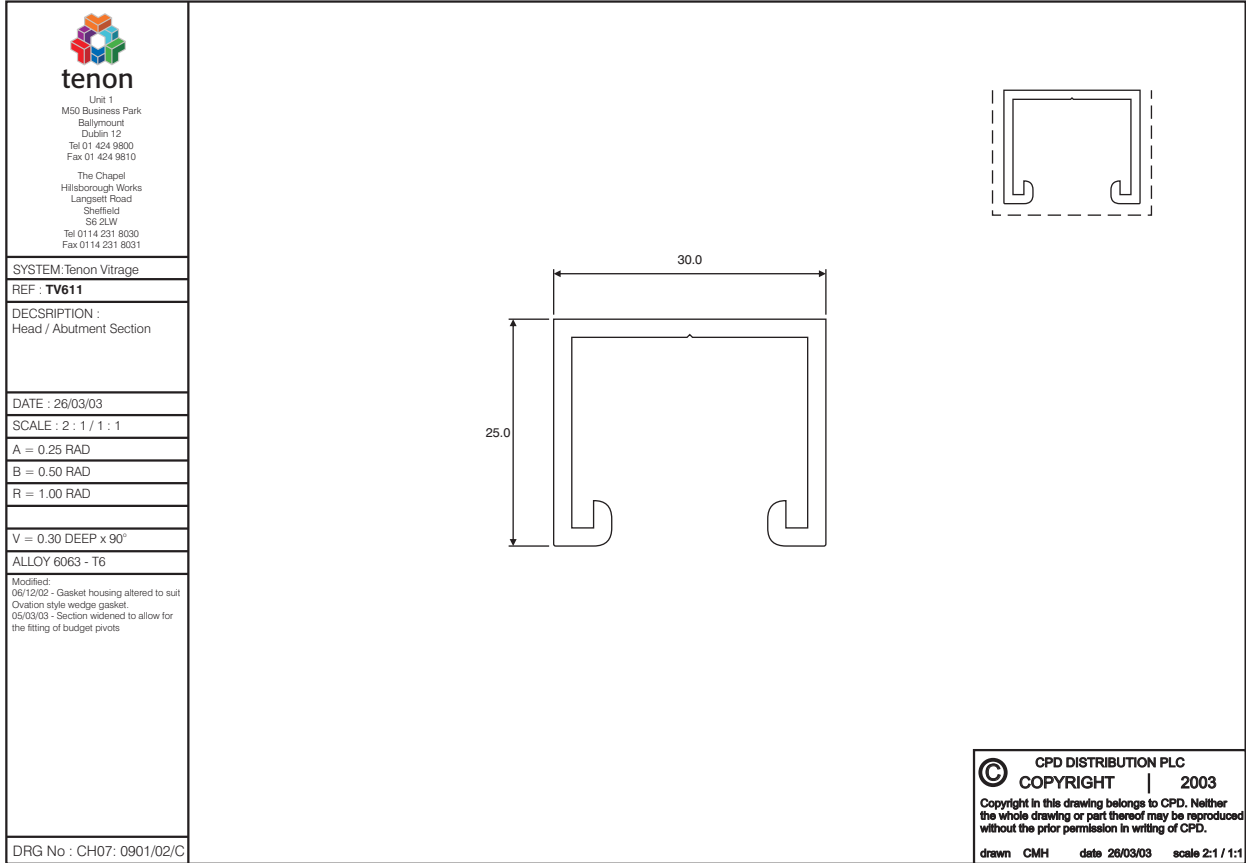
Nov 07

Tenon Vitrage:

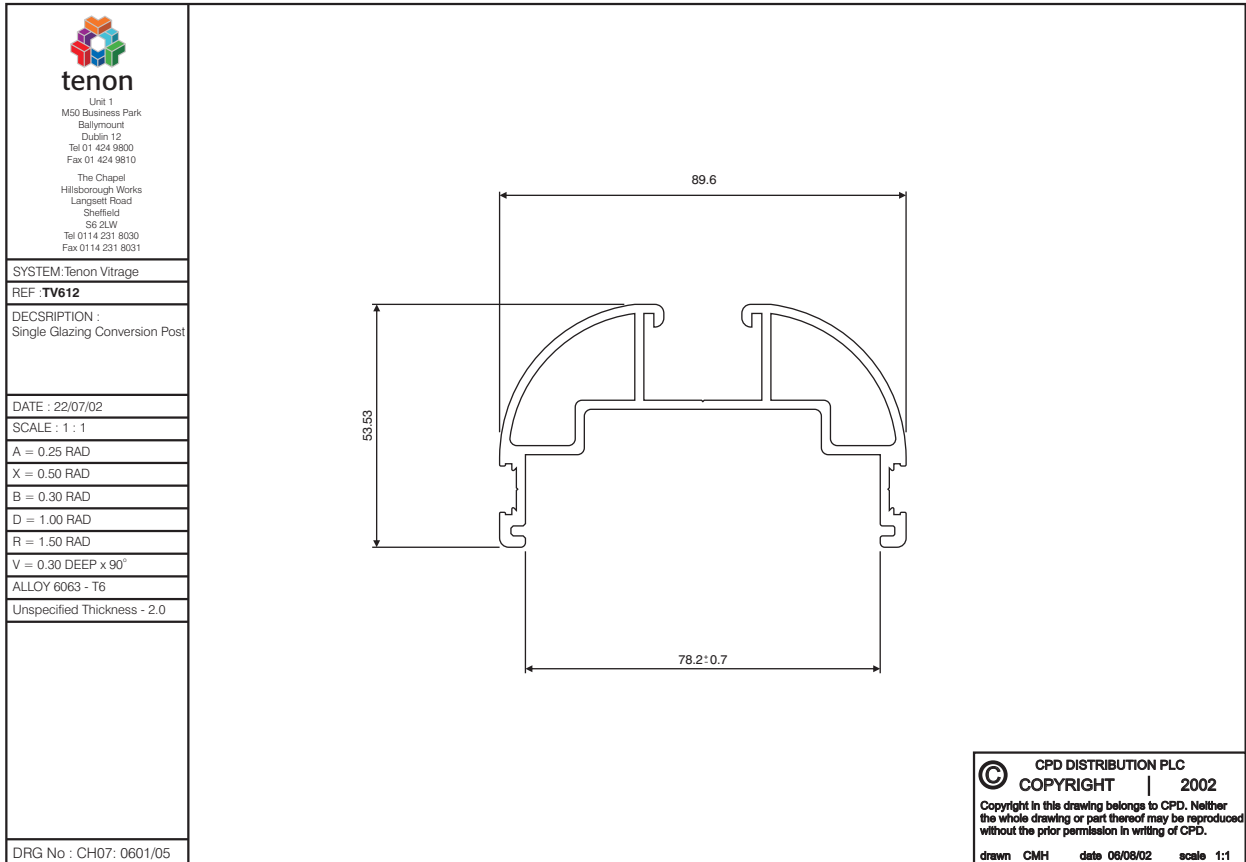
Section Summary

| | | |
|---------|--------|---|
| Page 3: | TV611: | Single Glazing Head Section |
| | TV612: | Single Glazing / Solid Conversion Section |
| Page 4 | TV614: | Single Glazing Base Angle |
| | TV615: | Single Glazing Infill Section |
| Page 5 | TV616 | Double Glazing Head & Abutment Channel |
| | TV618 | Double Glazing / Door Mod Section |
| Page 6 | TV619 | Double Glazing / Solid Conversion Section |
| | TV620 | Single Glazing / Door Mod Section |
| Page 7 | TV623 | Single Glazing Base Section |
| | TV624 | Double Glazing Base Section |
| Page 8 | TV625 | Double & Single Glazing Base Trim |
| | TV660 | Door Frame Section for Glass Doors |
| Page 9 | TV6649 | Strike Plate |
| | TV6011 | Base Fixing Bracket for F & S Door Frame |
| Page 10 | TV6012 | Base Fixing Bracket for Vitrage Door Frame |
| | | Glazing Gaskets for 10 to 12.8mm Glass |
| Page 11 | TV6611 | Softwood Packer for use with F & S Junction Posts |
| | TV6612 | Softwood Packer for Vitrage Door Head Transom |
| Page 12 | | PVC Joint Section Suite for 10mm & 12 mm Glass |
| Page 13 | | Section Drawings 1 |
| Page 14 | | Section Drawings 2 |
| Page 15 | | Section Drawings 3 |
| Page 16 | | Future Developments |
| | TV6180 | Steel Straight Channel Connector |
| | TV6090 | 90° Steel Channel Connector |
| Page 17 | | Future Developments (cont) |
| | TV6135 | 135° Steel Channel Connector |
| | TV616 | Double Glazing/Single Glazing Head & Abutment Channel |
| Page 18 | | Future Developments (cont) |
| | TV636 | Clear PVC Mullion Post |

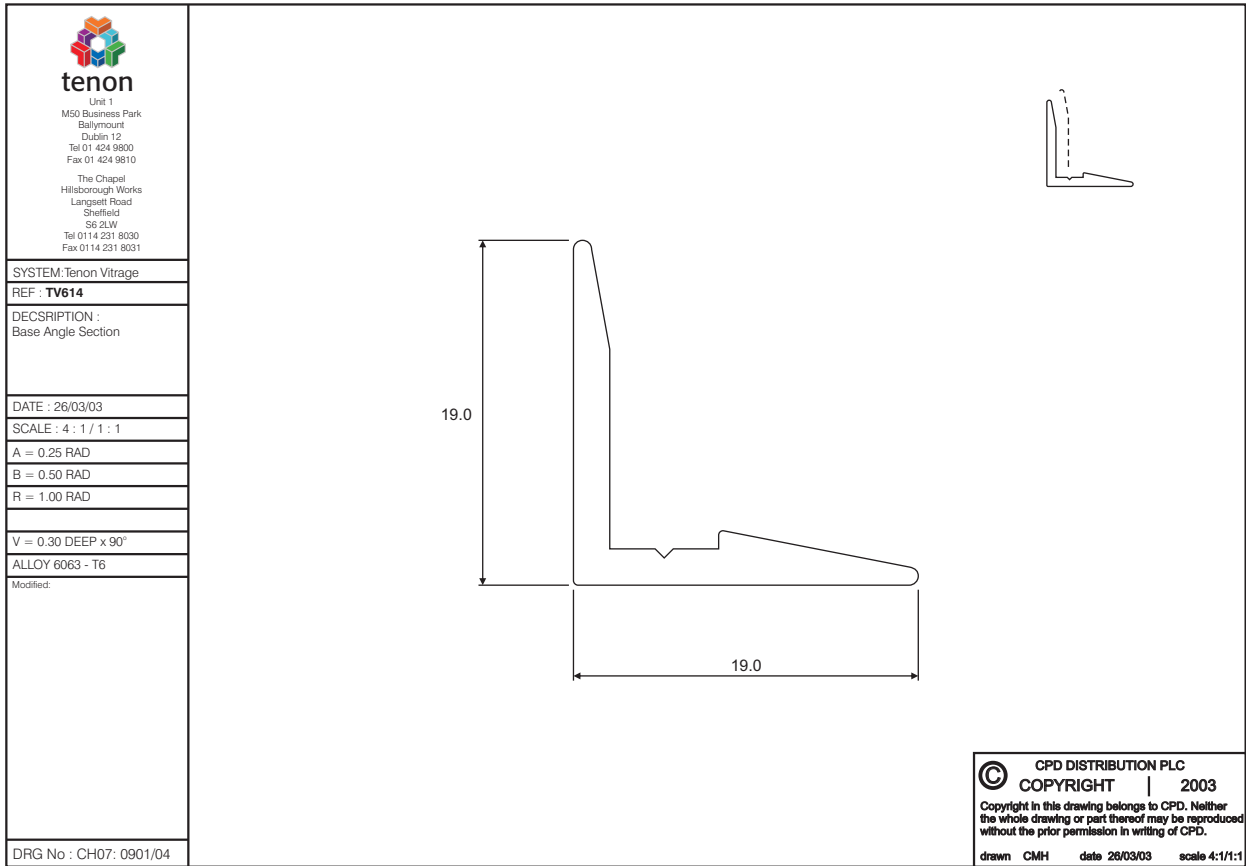
TV611 Single Glazing Head Section



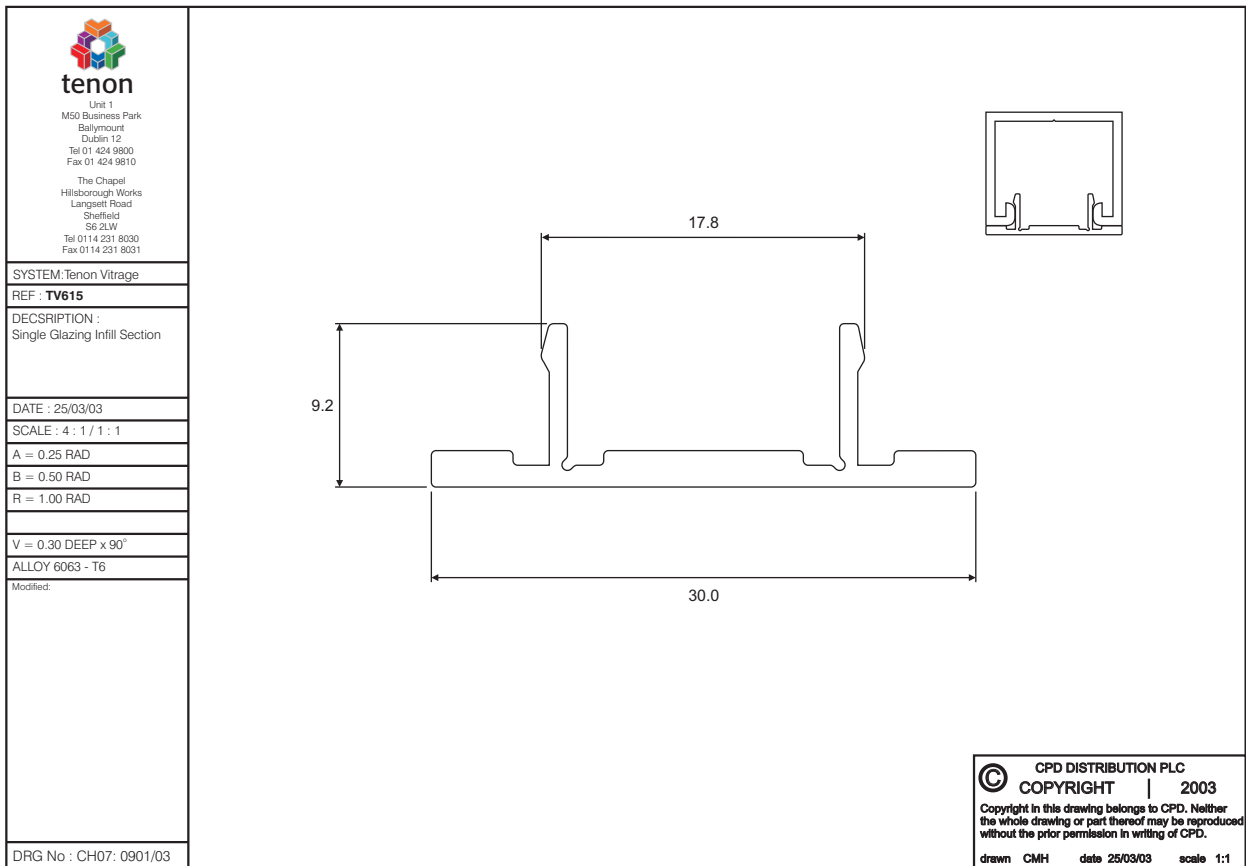
TV612 Single Glazing / Solid Conversion Section



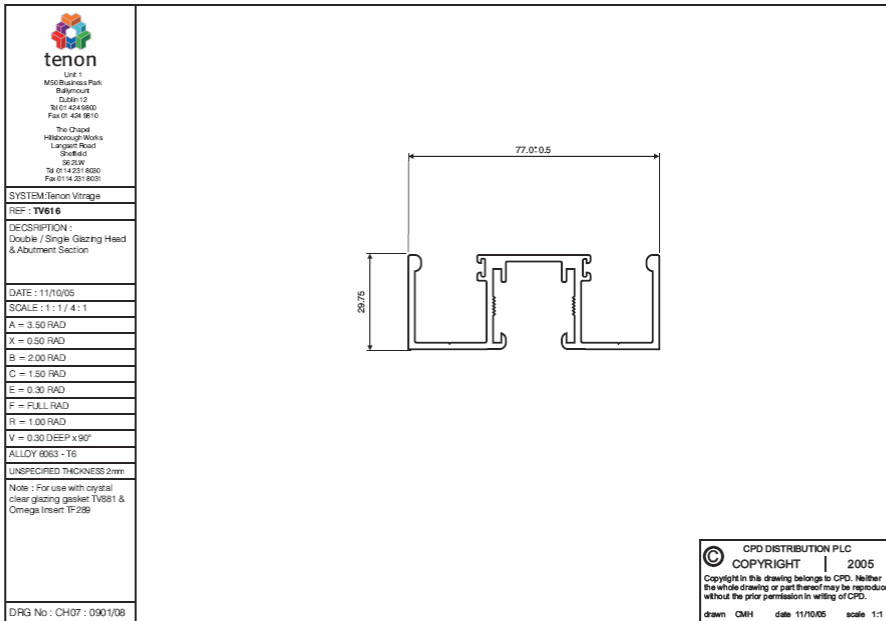
TV614 Single Glazing Base Angle



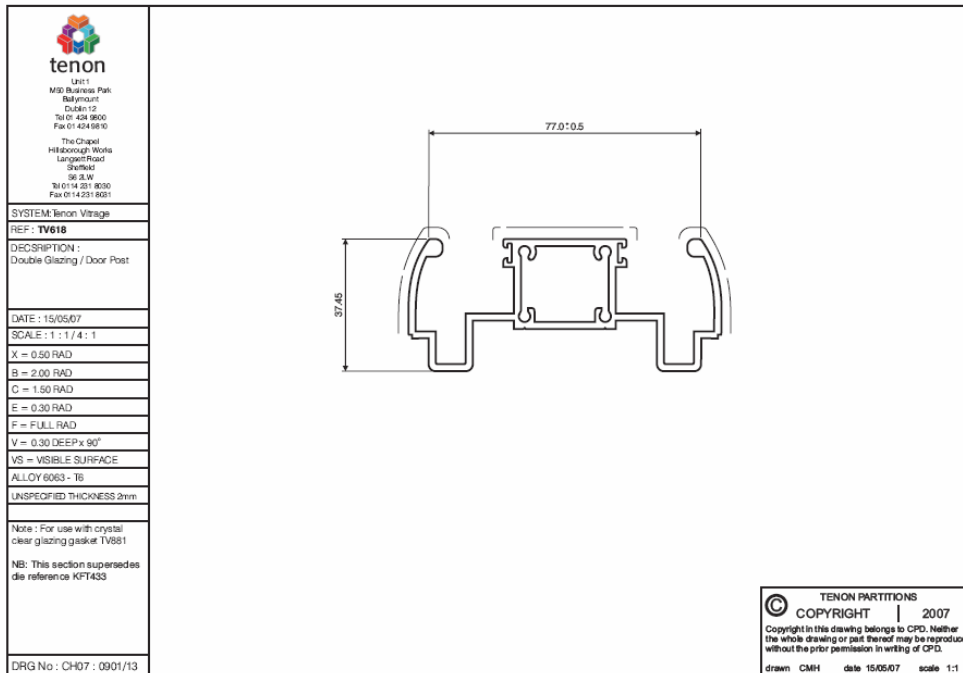
TV615 Single Glazing Infill Section



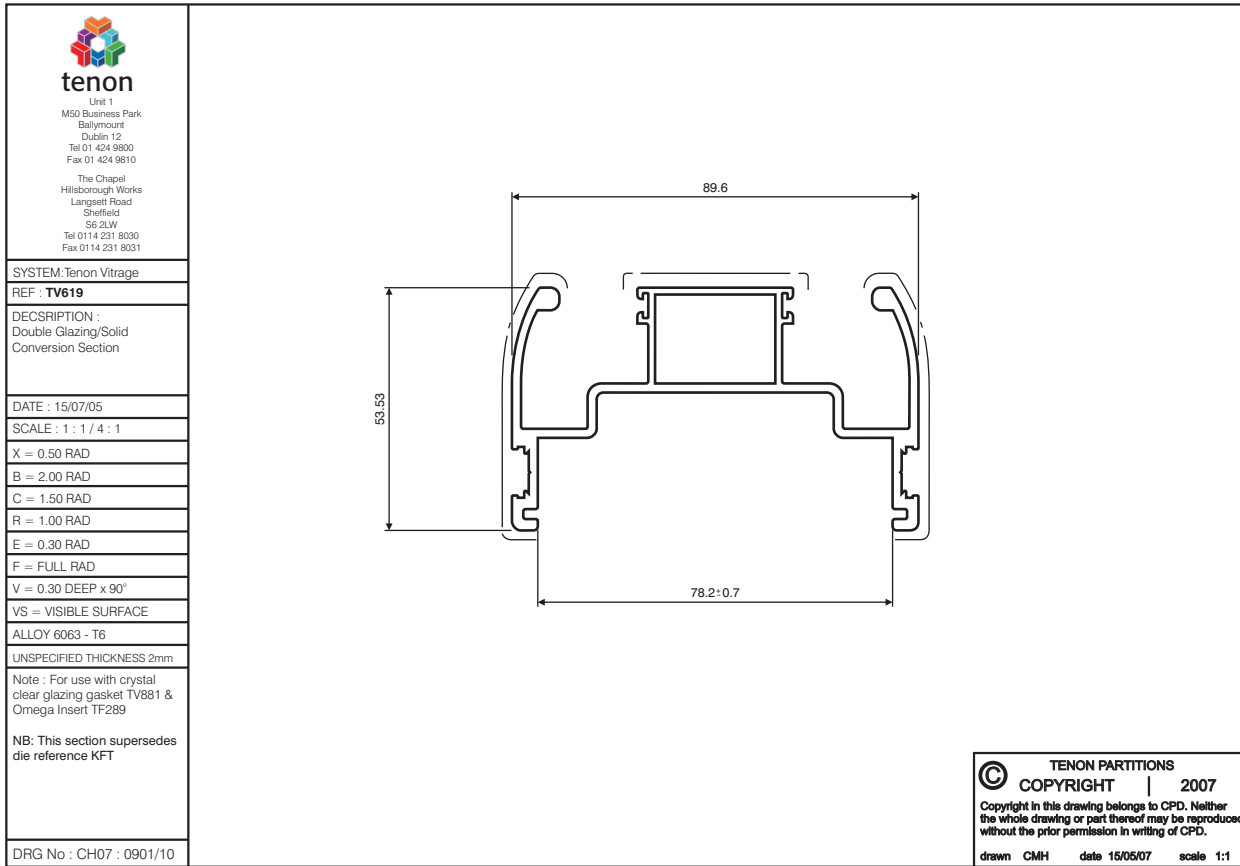
TV616 Double / Single Glazing Head & Abutment Section



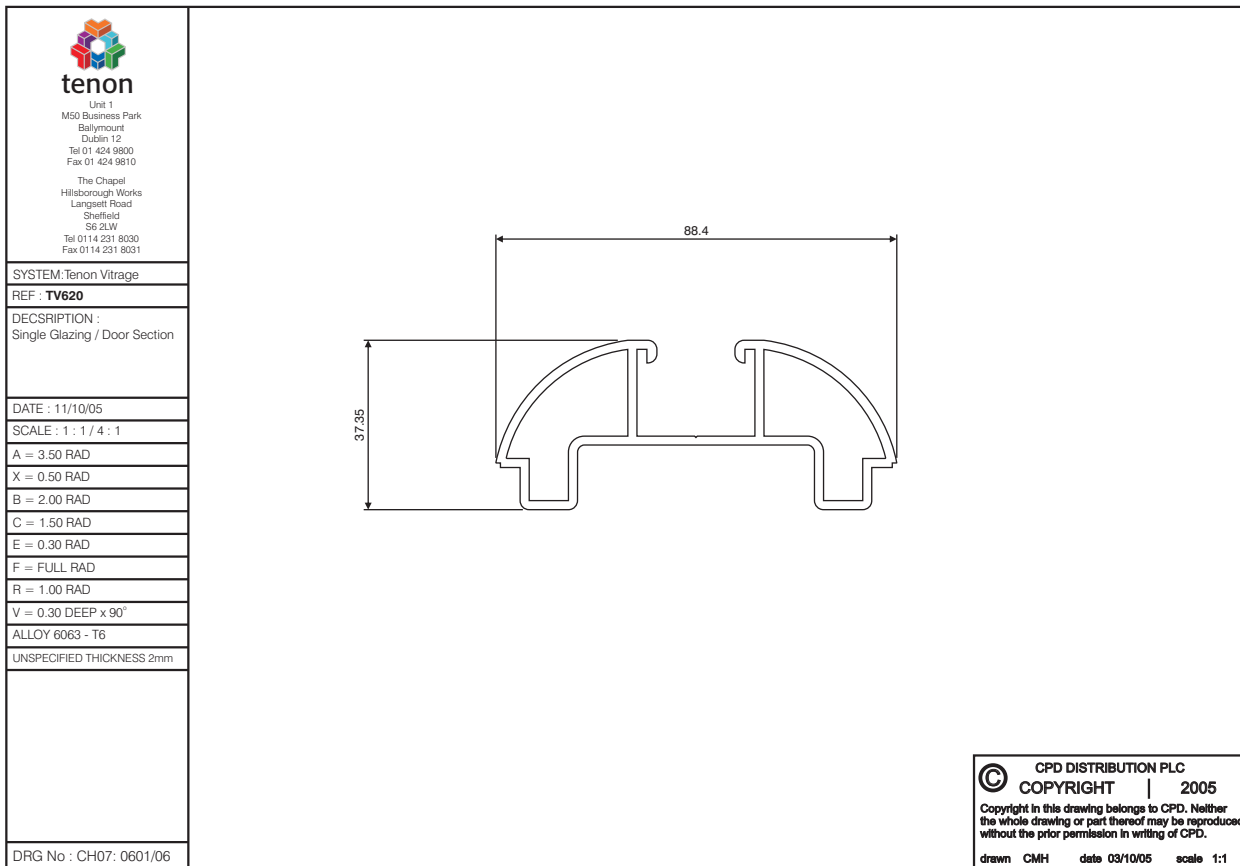
TV618 Double Glazing / Door Section




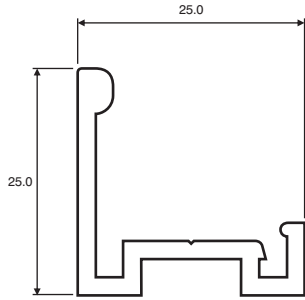
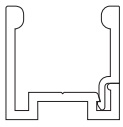
TV619 Double Glazing / Solid Conversion Section




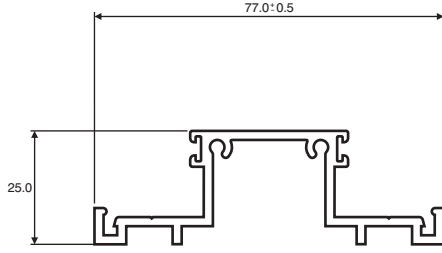
TV620 Single Glazing / Door Section




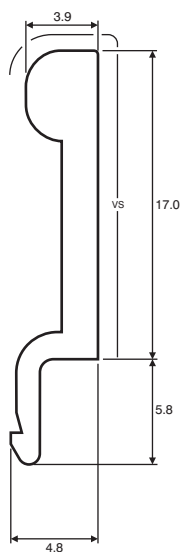
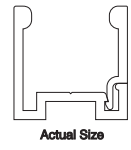
TV623 Single Glazing Base Section

| | | |
|---|---|---|
|  <p>tenon Unit 1 M50 Business Park Ballymount Dublin 12 Tel 01 424 9800 Fax 01 424 9810</p> <p>The Chapel Hillsborough Works Langsett Road Sheffield S6 2LW Tel 0114 231 8030 Fax 0114 231 8031</p> |  <p style="text-align: right; margin-right: 50px;">25.0</p> <p style="margin-left: 50px;">25.0</p> |  <p>Actual Size</p> |
| <p>SYSTEM: Tenon Vitrage</p> <p>REF : TV623</p> <p>DESCRIPTION : SG Base Section for clip fit profile</p> <p>DATE : 18/05/07</p> <p>SCALE : 1 : 1 / 4 : 1</p> <p>B = 2.00 RAD</p> <p>C = 0.75 RAD</p> <p>F = FULL RAD</p> <p>X = 0.50 RAD</p> <p>V = 0.30 DEEP x 90°</p> <p>VS = VISIBLE SURFACE</p> <p>ALLOY 6063 - T6</p> <p>UNSPECIFIED THICKNESS 2mm</p> <p>Note : For use with crystal clear glazing gasket TV881</p> <p>To fit with clip fit profile TV625</p> | | |
| <p>DRG No : CH07 :901/14</p> | | <p>© TENON PARTITIONS COPYRIGHT 2007</p> <p><small>Copyright in this drawing belongs to CPD. Neither the whole drawing or part thereof may be reproduced without the prior permission in writing of CPD.</small></p> <p>drawn CMH date 18/05/07 scale 1:1</p> |


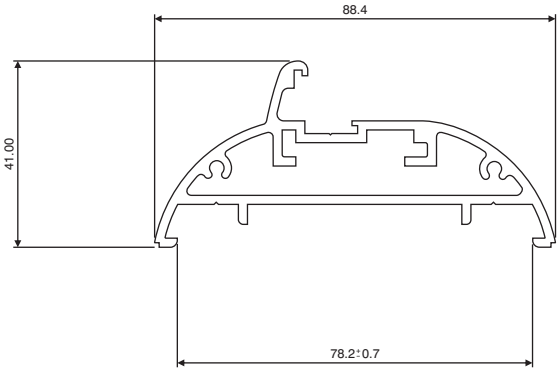
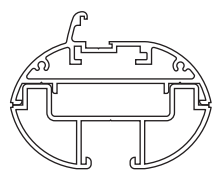
TV624 Double Glazing Base Section

| | | |
|---|--|--|
|  <p>tenon Unit 1 M50 Business Park Ballymount Dublin 12 Tel 01 424 9800 Fax 01 424 9810</p> <p>The Chapel Hillsborough Works Langsett Road Sheffield S6 2LW Tel 0114 231 8030 Fax 0114 231 8031</p> |  <p style="text-align: right; margin-right: 50px;">77.0±0.5</p> <p style="margin-left: 50px;">25.0</p> | |
| <p>SYSTEM: Tenon Vitrage</p> <p>REF : TV624</p> <p>DESCRIPTION : DG Base Section</p> <p>DATE : 24/05/07</p> <p>SCALE : 2 : 1</p> <p>B = 2.00 RAD</p> <p>C = 1.50 RAD</p> <p>R = 1.00 RAD</p> <p>X = 0.50 RAD</p> <p>F = FULL RAD</p> <p>V = 0.30 DEEP x 90°</p> <p>ALLOY 6063 - T6</p> <p>UNSPECIFIED THICKNESS 2mm</p> <p>Note : For use with crystal clear wedge gasket TV881 and captive gasket TV880</p> <p>To fit with clip fit profile TV635 .</p> | | |
| <p>DRG No : CH07 :901/16</p> | | <p>© TENON IRELAND COPYRIGHT 2007</p> <p><small>Copyright in this drawing belongs to CPD. Neither the whole drawing or part thereof may be reproduced without the prior permission in writing of CPD.</small></p> <p>drawn CMH date 24/05/07 scale 1:1</p> |


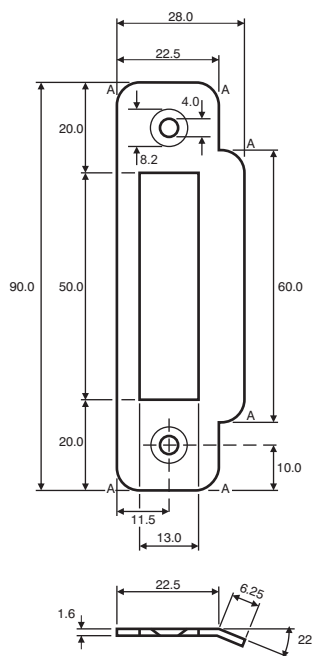
TV625 Single & Double Glazing Base Section Trim

| | | |
|---|--|--|
|  <p>tenon Unit 1 M50 Business Park Ballymount Dublin 12 Tel 01 424 9800 Fax 01 424 9810</p> <p>The Chapel Hillsborough Works Langsett Road Sheffield S6 2LW Tel 0114 231 8030 Fax 0114 231 8031</p> |  |  <p>Actual Size</p> |
| SYSTEM: Tenon Vitrage | | |
| REF: TV625 | | |
| DESCRIPTION: Base Section Trim | | |
| DATE: 24/05/07 | | |
| SCALE: 1 : 1 / 4 : 1 | | |
| B = 2.00 RAD | | |
| E = 2.25 RAD | | |
| C = 0.75 RAD | | |
| D = 0.60 RAD | | |
| X = 0.50 RAD | | |
| V = 0.30 DEEP x 90° | | |
| VS = VISIBLE SURFACE | | |
| ALLOY 6063 - T6 | | |
| UNSPECIFIED THICKNESS 2mm | | |
| Note: For use with crystal clear glazing gasket TV881 | | |
| To fit with base section TV624 & TV634 | | |
| DRG No: CH07:901/15 | | |
| | <p>© TENON PARTITIONS COPYRIGHT 2007</p> <p>Copyright in this drawing belongs to CPD. Neither the whole drawing or part thereof may be reproduced without the prior permission in writing of CPD.</p> <p>drawn CMH date 24/05/07 scale 1:1</p> | |


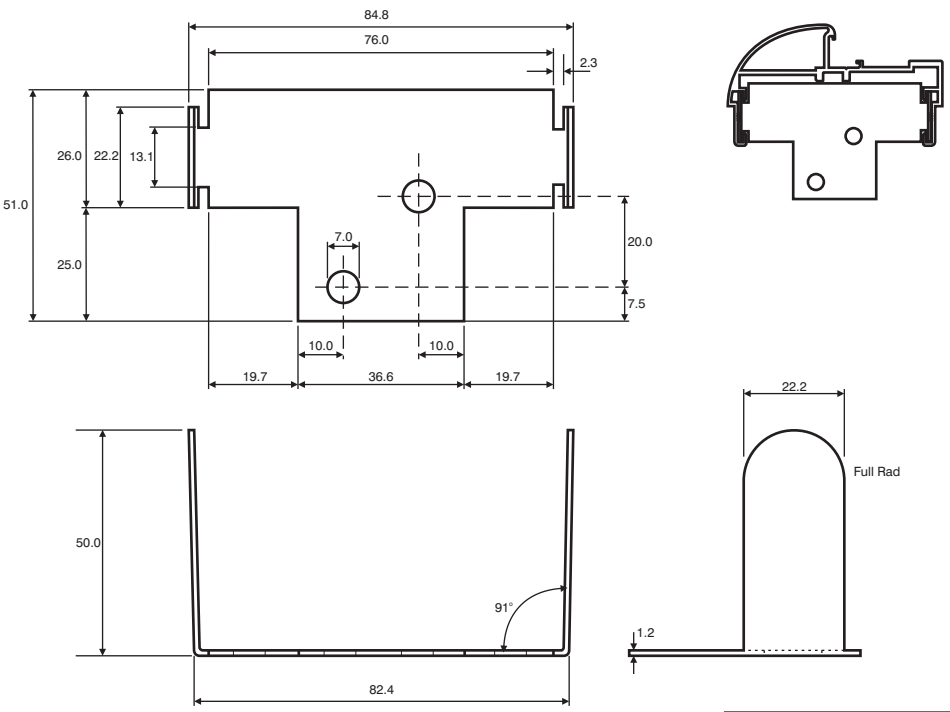
TV660 Door Frame Section for Glass Doors

| | | |
|---|--|---|
|  <p>tenon Unit 1 M50 Business Park Ballymount Dublin 12 Tel 01 424 9800 Fax 01 424 9810</p> <p>The Chapel Hillsborough Works Langsett Road Sheffield S6 2LW Tel 0114 231 8030 Fax 0114 231 8031</p> |  |  |
| SYSTEM: Tenon Vitrage | | |
| REF: TV660 | | |
| DESCRIPTION: Door Frame Section | | |
| DATE: 11/10/05 | | |
| SCALE: 1 : 1 / 2 : 1 / 4 : 1 | | |
| A = 3.50 RAD | | |
| X = 0.50 RAD | | |
| B = 2.00 RAD | | |
| C = 1.50 RAD | | |
| E = 0.30 RAD | | |
| F = FULL RAD | | |
| R = 1.00 RAD | | |
| V = 0.30 DEEP x 90° | | |
| ALLOY 6063 - T6 | | |
| UNSPECIFIED THICKNESS 2mm | | |
| DRG No: CH07: 0601/07 | | |
| | <p>© CPD DISTRIBUTION PLC COPYRIGHT 2005</p> <p>Copyright in this drawing belongs to CPD. Neither the whole drawing or part thereof may be reproduced without the prior permission in writing of CPD.</p> <p>drawn CMH date 03/10/05 scale 1:1</p> | |

TV6649 Vitrage Strike Plate

| | |
|--|---|
|  <p>Unit 1 M50 Business Park Ballymount Dublin 12 Tel 01 424 9800 Fax 01 424 9810</p> <p>The Chapel Hillsborough Works Langsett Road Sheffield S6 2LW Tel 0114 231 8030 Fax 0114 231 8031</p> |  |
| <p>SYSTEM: Tenon Vitrage</p> <p>REF : TV6649</p> <p>DESCRIPTION : Strike Plate</p> | |
| <p>DATE : 18/06/07</p> <p>SCALE : 1 : 1</p> <p>A = 5.00 RAD</p> | |
| <p>Note :</p> | |
| <p>DRG No : CH07 :901/17</p> | <p>TENON IRELAND COPYRIGHT 2007 Copyright in this drawing belongs to CPD. Neither the whole drawing or part thereof may be reproduced without the prior permission in writing of CPD. drawn CMH date 18/06/07 scale 1:1</p> |

TV6011 Base Fixing Bracket for F & S Door Frame

| | |
|--|---|
|  <p>Unit 1 M50 Business Park Ballymount Dublin 12 Tel 01 424 9800 Fax 01 424 9810</p> <p>The Chapel Hillsborough Works Langsett Road Sheffield S6 2LW Tel 0114 231 8030 Fax 0114 231 8031</p> |  |
| <p>SYSTEM: Tenon Vitrage</p> <p>REF : TV6011</p> <p>DESCRIPTION : Base Fixing Bracket for Fire & Sound Door Frame</p> | |
| <p>DATE : 21/06/07</p> <p>SCALE : 1 : 1 / 2 : 1</p> <p>MATERIAL THICKNESS 1.2mm</p> | |
| <p>Note :</p> <p>To fit with Fire & Sound door frame ref TF361/391</p> | |
| <p>DRG No : CH07 :901/18A</p> | <p>TENON IRELAND COPYRIGHT 2007 Copyright in this drawing belongs to CPD. Neither the whole drawing or part thereof may be reproduced without the prior permission in writing of CPD. drawn CMH date 20/08/07 scale 1:1</p> |

REVISED 20/08/07 - Position and number of holes changed

Vitrage (dB) Gasket Table

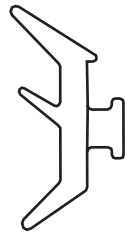
Double Glazing

Glass Sizes

Single Glazing



Outer Gasket
TV881



Inner Gasket
TV681

10mm Toughened Glass



TV881



TV881



Outer Gasket
TV881



Inner Gasket
TV681

10.8mm Laminated Glass



TV881



TV881



Outer Gasket
TV682



Inner Gasket
TV681

12.0mm Toughened Glass



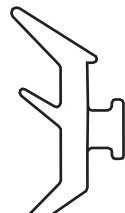
TV682



TV682



Outer Gasket
TV682



Inner Gasket
TV681

12.8mm Laminated Glass



TV682



TV682

Vitrage (dB) Clear Dry Joints

Double glazed 90° corner clear dry joints

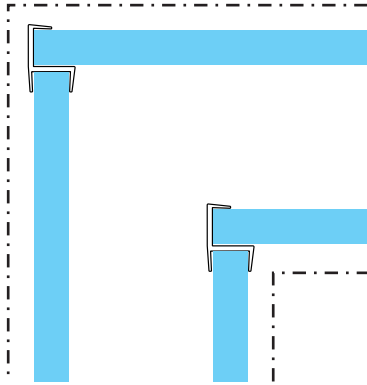


Fig. 16

Double glazed 90° 'T' section clear dry joints

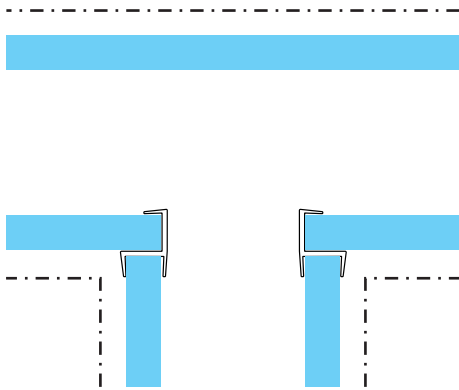


Fig. 17

Double glazed angled corner clear dry joints

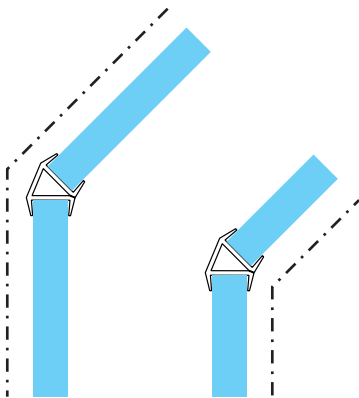


Fig. 18

Double glazed 180° clear dry joint with 3 way single glazed 90° clear dry joint

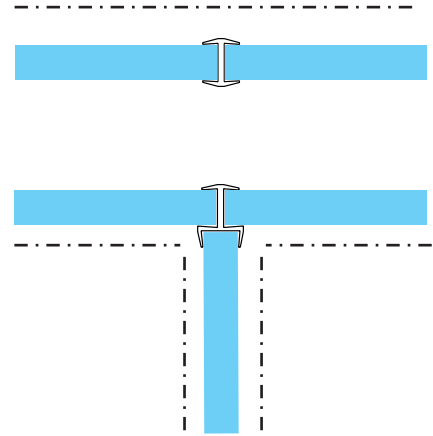
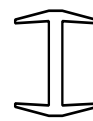


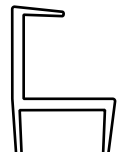
Fig. 19

Clear Dry Joint sections

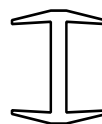


TV6400

For use with 10mm or 10.8mm glass

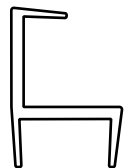


TV6420

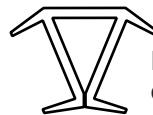


TV6500

For use with 12mm or 12.8mm glass

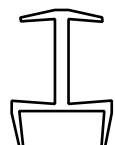


TV6520



TV6440

For use with 10mm or 10.8mm glass

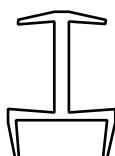


TV6460



TV6540

For use with 12mm or 12.8mm glass



TV6560



Figure 1

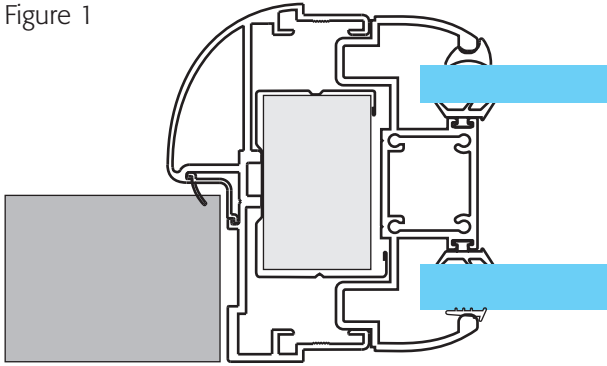


Figure 2

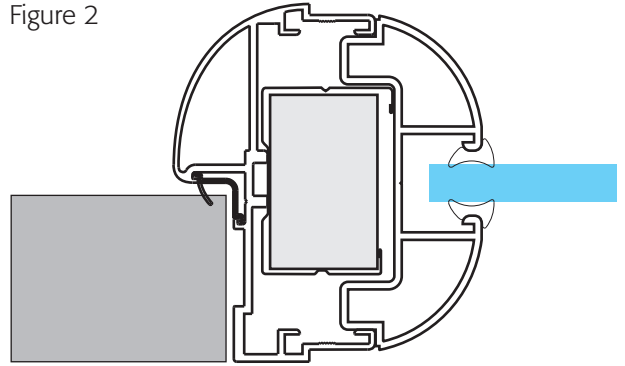


Figure 3

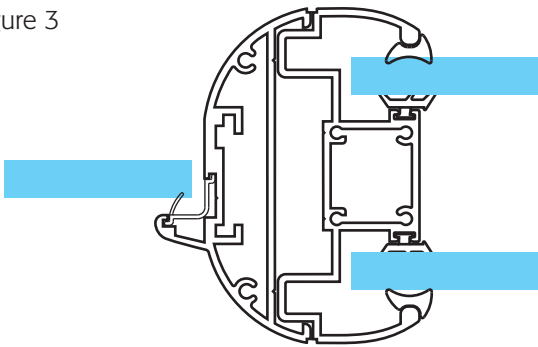


Figure 4

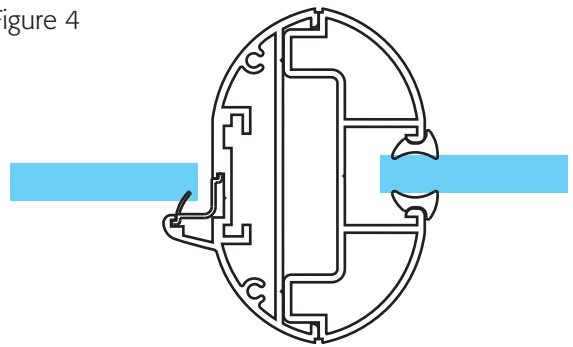


Figure 5

Currently Under Review

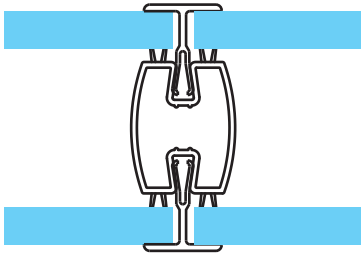


Figure 6

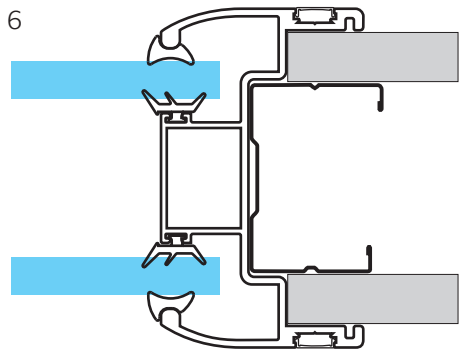


Figure 7

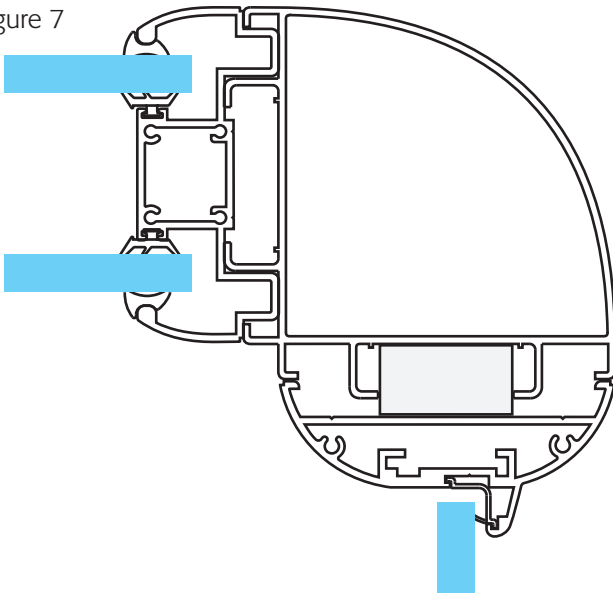


Figure 8

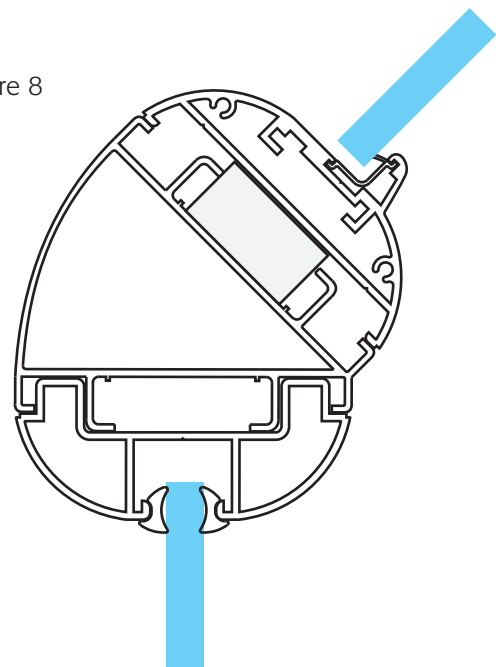


Figure 9

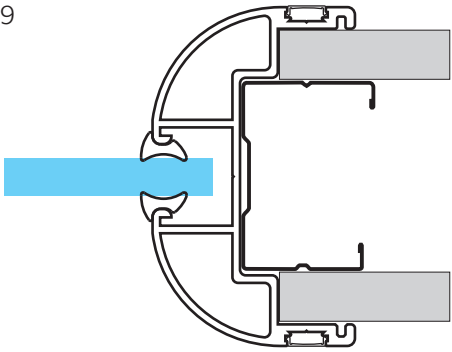


Figure 10

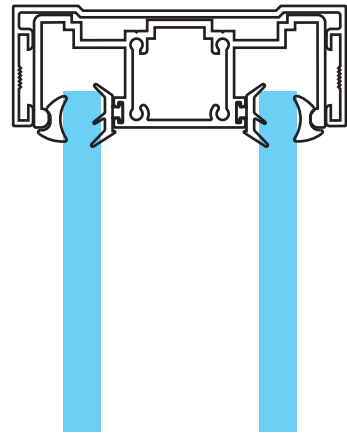


Figure 11

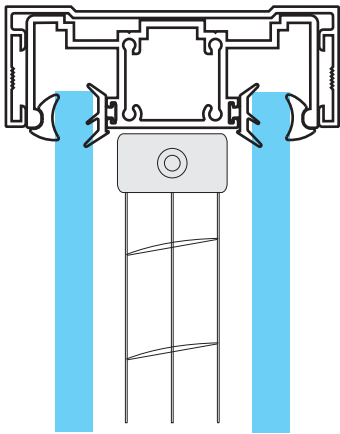


Figure 12

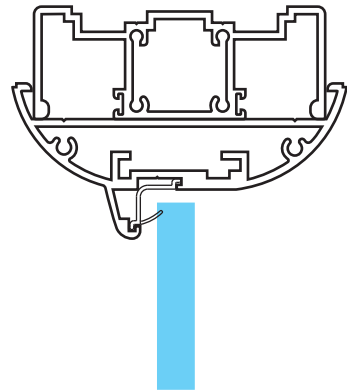


Figure 13

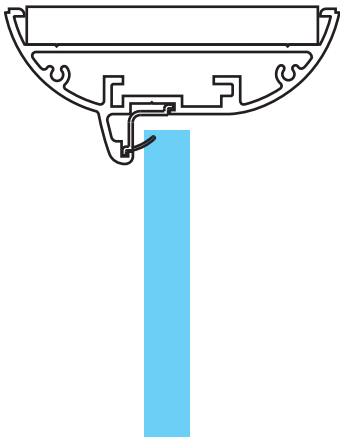


Figure 14

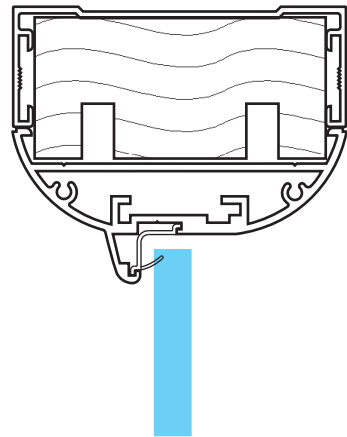
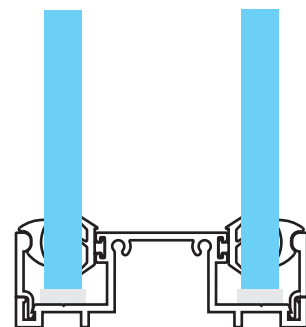



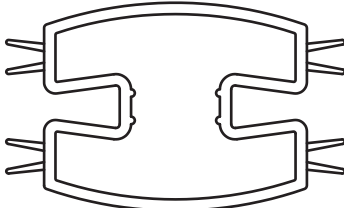
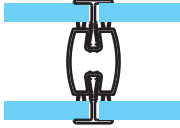
Figure 15



Figure 16



TV636 Double Glazing Mullion Post

| | | |
|---|--|--|
|  <p>tenon Unit 1 M50 Business Park Ballymount Dublin 12 Tel 01 424 9800 Fax 01 424 9810</p> <p>The Chapel Hillsborough Works Langsett Road Sheffield S6 2LW Tel 0114 231 8030 Fax 0114 231 8031</p> |  |  |
| SYSTEM: Tenon Vitrage | | |
| REF : TV636 | | |
| DESCRIPTION : Double Glazing Mullion Post | | |
| DATE : 11/10/05 | | |
| SCALE : NTS | | |
| | | |
| | | |
| | | |
| | | |
| | | |
| | | |
| UNSPECIFIED THICKNESS 2mm | | |
| Note : For use with crystal clear trim section TV676 | | |
| DRG No : CH07 : 0901/08 | | |
| | | <p>© CPD DISTRIBUTION PLC COPYRIGHT 2005</p> <p>Copyright in this drawing belongs to CPD. Neither the whole drawing or part thereof may be reproduced without the prior permission in writing of CPD.</p> <p>drawn CMH date 11/10/05 scale 1:1</p> |