

wallstore
tenon



Wall store is fully demountable and relocatable, providing compact and streamlined storage solutions

A modular high density office storage system

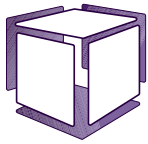
Tenon Wall Store is the modular, floor to ceiling, high density office storage system available from Tenon Partition systems and is ideal for optimizing office space, providing a clutter free, compact yet attractive environment. The system is designed for multi-purpose office storage but is also suitable for specialist high volume filing systems, audio visual presentation systems or may be used as personal lockers.

Wall Store is comparable in price to traditional filing cabinets and storage cupboards but uses 20 - 30% less floor space. The resultant saving in rent and rates costs can be substantial!

Manufactured using the highest quality materials and components, Wall Store offers exceptional rigidity and durability. Units are easily integrated in to the Tenon range and may be free standing or used to form a dividing partition, offering extensive planning and style options. A wide choice of finishes is available, including beech, maple, oak, cherry and plain colours in veneer, laminate or MDF, allowing Wall Store to compliment any interior design scheme. Internal fixings include:

- Pull out filing frame/drawer
- Steel, partitionable shelf
- Pull out system drawer
- Fixed lateral filing frame
- Pull out reference shelf
- Telescopic coat rail

A complete design, supply and installation service is available, including site surveys, space planning, filing surveys and customised design documentation. Contact your nearest branch for details.

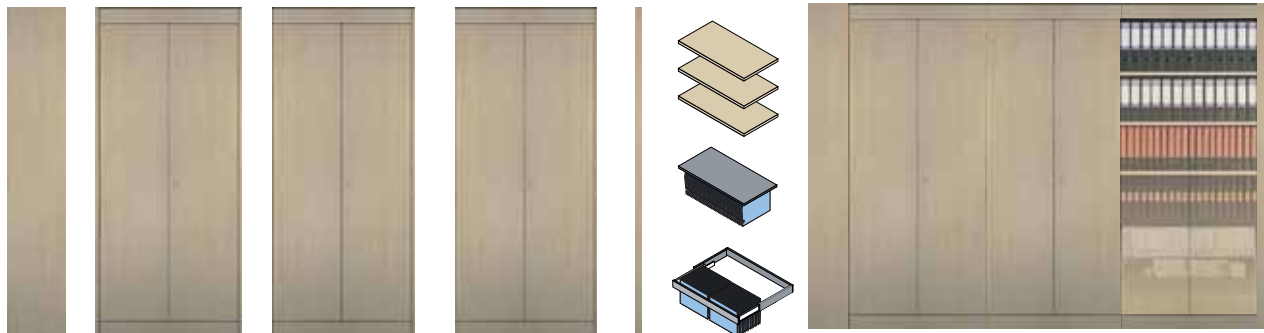


Wall Store Pak

Flat pack modular storage system

Need storage? Need it fast? Choose Wall Store Pak!

The modular 'off-the-shelf' solution with a bespoke look



Optional vertical Scribe Panel + Starter Pak + Add on Pak + Add on Pak + Optional Decorative End Panel + *Internal Options + Three bay storage solution

Start with one pak and simply add on as many modules you need....

Available in a range of heights, with a contemporary maple finish and brushed nickel door furniture...

...to create the perfect storage system



Height Options

Wall Store Pak modules are available in a choice of 2 door heights with a top scribe panel that can be cut down to allow for various ceiling heights ranging from 2.4 metres to 2.7 metres.

Easy to order

Simply decide how many paks you need.

Calculate how many 1000mm and/or 500mm Paks will fit in to the space available, adding 57mm to the total run length to allow for vertical end panels.

Example:

Space available = *3050mm

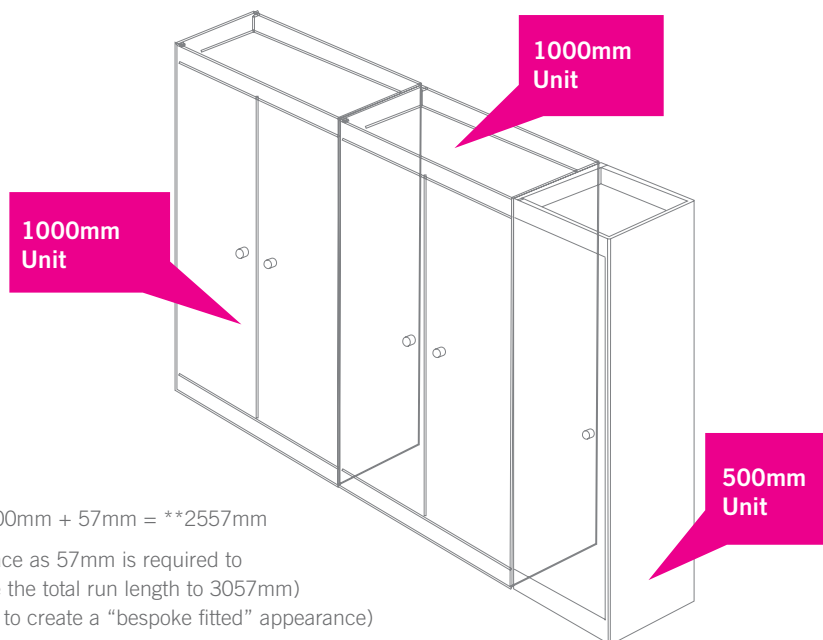
Number of 1000 wide Paks = 2

Number of 500mm wide Paks = 1

Size of run length = 1000mm + 1000mm + 500mm + 57mm = **2557mm

* (Three 1000mm paks will not fit into this space as 57mm is required to allow for vertical end panels. This would take the total run length to 3057mm)

** (Optional vertical scribe panels can be used to create a "bespoke fitted" appearance)



| Product code | Description | Price £ Each |
|--------------|-------------|--------------|
|--------------|-------------|--------------|

| Wall Store Pak | | |
|----------------|--|--------|
| SWPS246817S10 | Starter pak width 1000mm x height 2400mm | 624.81 |
| SWPA246817S10 | Add on pak width 1000mm x height 2400mm | 520.73 |
| SWPS275617S10 | Starter pak width 1000mm x height 2700mm | 639.95 |
| SWPA275617S10 | Add on pak width 1000mm x height 2700mm | 535.87 |
| SWPS246817S05 | Add on pak width 500mm x height 2400mm | 403.24 |
| SWPS275617S05 | Add on pak width 500mm x height 2700mm | 411.12 |
| SWPPOF10 | 1000mm Pull Out Filling Frame | 76.74 |
| SWPLFF10 | 1000mm Lateral Filling Frame | 35.25 |
| SWPWS10 | 1000mm wooden Shelf | 28.98 |
| SWPWS05 | 500mm wooden Shelf | 24.28 |
| SWP05FSP | Fixing Starter Pack | 126.65 |
| SWP05FAP | Fixing Add on Pack | 86.67 |

Stocked Nationwide in 5 regional locations.